



Equipos, partes y accesorios de tecnología informática y servicios de soporte técnico

Cotización No. 001 - 253

NIT	CLIENTE	CONTACTO	FECHA	CIUDAD
			01/10/2016	
TELÉFONO	DIRECCIÓN	EMAIL	DESCUENTO	FORMA DE PAGO

Atendiendo a su amable solicitud, enviamos la cotización de los productos solicitados por su organización:

ITEM	CÓDIGO	DESCRIPCIÓN	CANTIDAD	VR. UNITARIO	VR. TOTAL
1		CAMARAS IP HIKVISION MODELO HK-DS2CD2710F-I	1	S/. 830.51	S/. 830.51
2					
3					
4					
5					
6					
Opciones de Pago:				SUBTOTAL	S/. 830.51
				IGV	S/. 149.49
				TOTAL A PAGAR	S/. 980.00

Codiciones y validez de la oferta:

30 dias

Validez:

Condiciones de entrega:

Entrega Inmediata

Condiciones de Garantía:

garantia de 1 año

Esperamos haber dado alcance a sus requerimientos

Cordialmente,

RICARDO TALAVERA

RPM: #999033365 RPC:959354677

DIRECCIONES

- Direccion: -Lima: Av Nicolas Arriola 265 Of. 201 (referencia: a 1 cuadra de Cruz del Sur de Javier Prado)

- Calle Rivero 107 of 302. Cercado - Arequipa

También estamos en:

Trujillo Puno Cajamarca - Piura -Tumbes - Ica - Chiclayo - Ayacucho- Tacna - Cusco

CUENTAS BANCARIAS :

INTEGRASAT SOLUCIONES CENTER SRL , RUC : 20455256357

Cuenta Corriente BCP Soles

215-2050250-0-12

Código interbancario: CCI: 00221500205025001225

Cuenta Corriente BCP DOLARES

215-2295979-1-31

Código interbancario: CCI 00221500229597913124

ESPECIFICACIONES TECNICAS

HIKVISION

DS-2CD2710F-I(S)



Key Features

- Up to 1.3 megapixel (1280 × 960) resolution
- Standard video compression with high compression ratio
- Progressive scan CMOS, capture motion video without incised margin
- Support dual stream, and the sub-stream for mobile surveillance
- High-performance and long service life Infrared LED, Approx. 10 to 20 meters IR range
- Built-in Micro SD/SDHC/SDXC card slot, up to 64 GB
- IR cut filter with auto switch
- PoE (Power over Ethernet)
- Ingress Protection level: IP66
- Electronic shutter for different surveillance environments
- Impact Protection: IEC60068-2-75 test, Eh, 20J; EN50102, up to IK10
- Other functions: reset, heartbeat, mirror, etc.

Specification

Model	DS-2CD2710F-I(S)
Parameter	1.3 Megapixel CMOS Vandal-proof Network Dome Camera
Camera	
Image Sensor	1/3" Progressive Scan CMOS
Min. Illumination	0.01lux @(F1.2,AGC ON) ,0 Lux with IR 0.014lux @(F1.4,AGC ON), 0 Lux with IR
Shutter Speed	1/25(1/30) s to 1/100,000 s

©2006 – 2013 by HIKVISION. All rights reserved.

ESPECIFICACIONES TECNICAS

DELTOC

HIKVISION

Lens	2.8 - 12 mm @ F1.4, Angle of view: 98°-30.2°
Angle Adjustment	Pan: 0° - 355°, Tilt: 0° - 75°, Rotation: 0° - 355°
Lens Mount	Ø14
Day & Night	IR cut filter with auto switch
Digital Noise Reduction	3D DNR
Wide Dynamic Range	Digital WDR
Compression Standard	
Video Compression	H.264/ MJPEG
H.264 Compression Type	Main Profile
Video Bit Rate	32 Kbps – 8 Mbps
Audio Compression	G.711/G.726/MP2L2
Audio Bit Rate	64Kbps(G.711) / 16Kbps(G.726)/ 32~128Kbps(MP2L2)
Dual Stream	Yes
Image	
Max. Resolution	1280 x 960
Frame Rate	50 Hz: 25 fps (1280 x 960), 25 fps (1280 x 720), 25 fps (704 x 576), 25 fps (640 x 480) 60 Hz: 30 fps (1280 x 960), 30 fps (1280 x 720), 30 fps (704 x 576), 30 fps (640 x 480)
Image Settings	Rotate mode, Saturation, Brightness, Contrast adjustable by client software or web browser
Backlight compensation	Yes, zone optional
ROI	Yes, up to 4 configurable areas
Network	
Network Storage	NAS
Alarm Trigger	Motion detection, Tampering alarm, Network disconnect, IP address conflict, Storage full, Storage error
Protocols	TCP/IP, ICMP, HTTP, HTTPS, FTP, DHCP, DNS, DDNS, RTP, RTSP, RTCP, PPPoE, NTP, UPnP, SMTP, SNMP, IGMP, 802.1X, QoS, IPv6, Bonjour
Security	User Authentication, Watermark
Standard	ONVIF, PSIA, CGI, ISAPI
Interface	
Communication Interface	1 RJ45 10M/100M Ethernet interface
On-board storage	Built-in Micro SD/SDHC/SDXC card slot, up to 64 GB
General	
Operating Conditions	-30 °C – 60 °C (-22 °F – 140 °F)

©2006 – 2013 by HIKVISION. All rights reserved.

ESPECIFICACIONES TECNICAS

DELTOC

HIKVISION

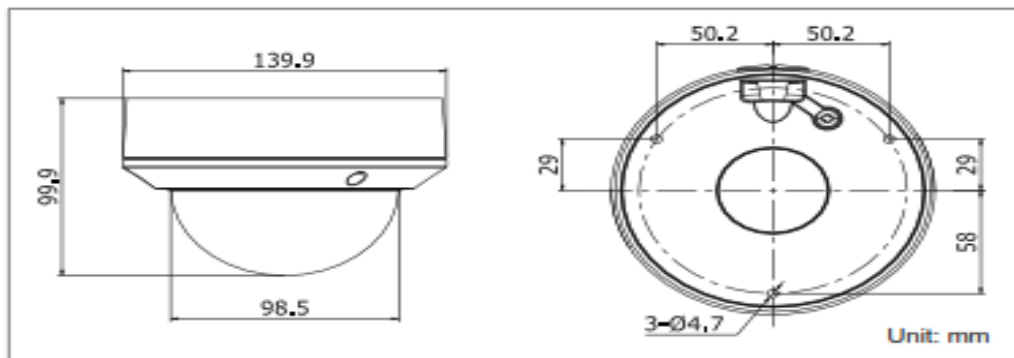
	Humidity 95% or less (non-condensing)
Power Supply	12 V DC \pm 10% PoE (802.3af)
Power Consumption	Max. 5.5 W
Ingress Protection level	IP66
Impact Protection	IEC60068-275Eh, 20J; EN50102, up to IK10
IR Range	Approx. 20 meters
Dimensions	Φ 140 x 99.9 mm (Φ 5.51" x 3.94")
Weight	1000g

* "-S" series support 1-ch audio I/O, 1-ch alarm I/O

Order Models

DS-2CD2710F-I, DS-2CD2710F-IS

Dimensions



Accessories



Wall mount
DS-1273ZJ-135

©2006 – 2013 by HIKVISION. All rights reserved.