

INTEGRASAT SOLUCIONES CENTER SRL**RUC: 2045256357****Equipos, partes y accesorios de tecnología informática y servicios de soporte técnico**

Cotización No. 001 - 46

| NIT | CLIENTE | CONTACTO | FECHA | CIUDAD |
|----------|-----------|----------|-----------|---------------|
| | | | | |
| TELÉFONO | DIRECCIÓN | EMAIL | DESCUENTO | FORMA DE PAGO |
| | | | | |

Atendiendo a su amable solicitud, enviamos la cotización de los productos solicitados por su organización:

| ITEM | CÓDIGO | DESCRIPCIÓN | CANTIDAD | VR. UNITARIO | VR. TOTAL |
|--------------------------|--------|--|----------|----------------------|---------------------|
| 1 | | KIT15 : 12 CAMARAS DE PLASTICO HD | 1 | S/. 2,101.69 | S/. 2,101.69 |
| 2 | | Camara Interior HK-DS2CE56D0T-IRP | 6 | | |
| 3 | | Camara Exterior HK-DS2CE16D0T-IRP | 6 | | |
| 4 | | Dvr 8ch - HK-DS7208HQHI-F1/N | 1 | | |
| 5 | | Disco Duro 1000 GB | 1 | | |
| 6 | | Fuentes de alimentacion | 12 | | |
| 7 | | 20 Metros de Cable | 12 | | |
| Opciones de Pago: | | | | SUBTOTAL | S/. 2,101.69 |
| | | | | IGV | S/. 378.31 |
| | | | | TOTAL A PAGAR | S/. 2,480.00 |

Codiciones y validez de la oferta:

30 días

Validez:**Condiciones de entrega:**

Entrega Inmediata

Condiciones de Garantía:

garantía de 1 año

Esperamos haber dado alcance a sus requerimientos

Cordialmente,

RICARDO TALAVERA

RPM: #999033365 RPC:959354677

DIRECCIONES

- Direccion: -Lima: Av Nicolas Arriola 265 Of. 201 (referencia: a 1 cuadra de Cruz del Sur de Javier Prado)

- Calle Rivero 107 of 302. Cercado - Arequipa

También estamos en:

Trujillo Puno Cajamarca - Piura -Tumbes - Ica - Chiclayo - Ayacucho- Tacna - Cusco

CUENTAS BANCARIAS :

INTEGRASAT SOLUCIONES CENTER SRL , RUC : 20455256357

Cuenta Corriente BCP Soles

215-2050250-0-12

Código interbancario: CCI: 00221500205025001225

Cuenta Corriente BCP DOLARES

215-2295979-1-31

Código interbancario: CCI 00221500229597913124

KIT15

12 CAMARAS DE PLASTICO HD



| CARACTERISTICAS DESCRIPTIVAS | |
|------------------------------|-----------|
| Material de la Camara | PLASTICO |
| Caracteristica del DVR | 8 Canales |
| CARACTERISTICAS NUMERICAS | |
| Resolucion de Camara | 1080P |
| Distancia Metros de Camara | 20 metros |
| Capacidad de Disco Duro | 1000 GB |
| capacidad de DVR | 8 canales |

ESPECIFICACIONES TECNICAS

HIKVISION

DS-2CE56C0T-IRP
HD720P Indoor IR Turret Camera



Key Features

- 1 Megapixel high-performance CMOS
- Analog HD output, up to 720P resolution
- True Day/Night
- DNR, Smart IR
- Up to 20m IR distance

ESPECIFICACIONES TECNICAS

HIKVISION

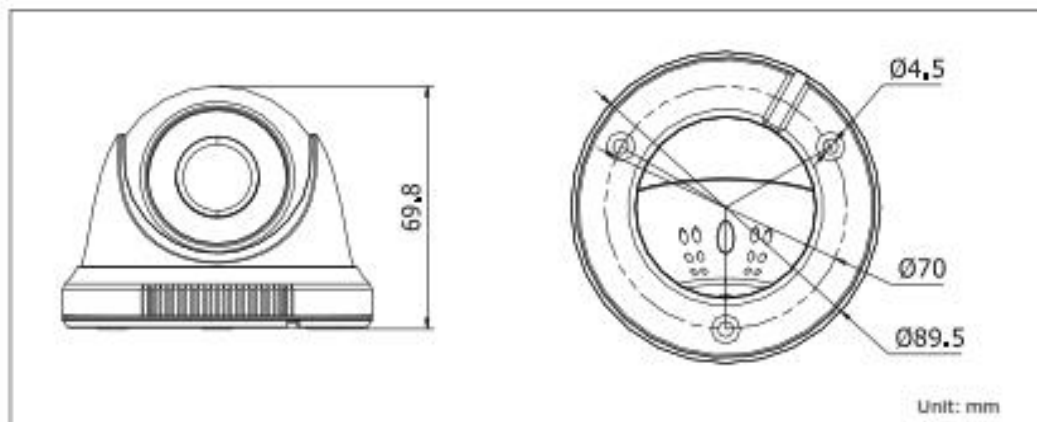
Specifications

| Camera | |
|----------------------|--|
| Image Sensor | 1MP CMOS Image Sensor |
| Signal System | PAL/NTSC |
| Effective Pixels | 1296(H)*732(V) |
| Min. illumination | 0.1 Lux @ (F1.2,AGC ON),0 Lux with IR |
| Shutter Time | 1/25(1/30)s to 1/50,000s |
| Lens | 2.8mm, 3.6mm, 6mm optional |
| | Angle of View: 70.9°(3.6mm), 92°(2.8mm), 56.7°(6mm) |
| Lens Mount | M12 |
| Day & Night | ICR |
| Angle Adjustment | Pan: 0 - 300°, Tilt: 0 - 75°, Rotation: 0 - 300° |
| Synchronization | Internal synchronization |
| Video Frame Rate | 720p@25fps/720p@30fps |
| HD Video Output | 1 Analog HD output |
| S/N Ratio | >62dB |
| General | |
| Operating Conditions | -20 °C - 45 °C (-4 °F - 113 °F), Humidity 90% or less (non-condensing) |
| Power Supply | 12 VDC ± 15% |
| Power Consumption | Max. 4W |
| IR Range | Up to 20m |
| Dimensions | Φ89.5 × 69.8 mm(Φ3.52" × 2.75") |
| Weight | 250 g |

ESPECIFICACIONES TECNICAS

HIKVISION

Dimensions



Accessories



DS-1272ZJ-110-TR5
Wall Mounting



DS-1275ZJ
Vertical Pole Mounting



DS-1276ZJ
Corner Mounting



DS-1H18
Video Balun



X41T
Camera Tester



DS-1280ZJ-X5
Junction box

ESPECIFICACIONES TECNICAS

HIKVISION

DS-7200HQHI-F1/N SERIES TURBO HD DVR



Features and Functions

Video Input and Transmission

- Connectable to HDTV, AHD and analog cameras
- Up to 2-ch 1080p IP cameras input for DS-7208/7216HQHI-F1/N
- Long distance transmission over UTP and coaxial cable with max. 1200m for the 720p and max. 800m for the 1080p HDTV signal

Compression and Recording

- One-key enable H.264+ compression to improve encoding efficiency by up to 50% and reduce data storage costs
- Up to 3 MP resolution for recording of the first channel of DS-7204HQHI-F1/N, the first 2 channels of DS-7208HQHI-F1/N, and the first 4 channels of DS-7216HQHI-F1/N
- Supports real-time 1080p lite and when enabled, the image effect is similar with 1080p

Video Output

- Simultaneous HDMI/VGA output at up to 1920 × 1080 resolution for DS-7204/7208HQHI-F1/N and 4K (3840 × 2160) resolution for HDMI output of DS-7216HQHI-F1/N
- Independent CVBS output improves compatibility at the most possibility

Storage and Playback

- One SATA interface (up to 6 TB capacity per HDD)
- 4/8/16-ch synchronous playback
- Smart search for efficient playback

Smart Function

- Supports multiple VCA (Video Content Analytics) events for both analog and smart IP cameras
- VQD (Video Quality Diagnostics)
- Unlock pattern for device login for the *admin*
- Clear-text password available

Network & Ethernet Access

- Hik Cloud P2P & HiDDNS (Dynamic Domain Name System) for easy network management
- 1 gigabit Ethernet network interface (for DS-7216HQHI-F1/N)
- Output bandwidth limit configurable

ESPECIFICACIONES TECNICAS

HIKVISION

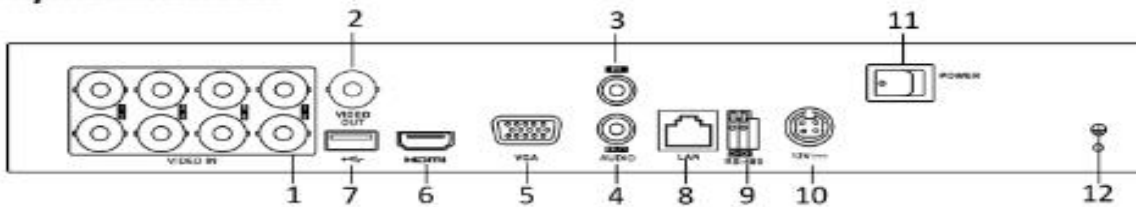
Specifications

| Model | | DS-7204HQHI-F1/N | DS-7208HQHI-F1/N | DS-7216HQHI-F1/N |
|--------------------|---------------------------------|--|--|---|
| Video/Audio input | Video compression | H.264+/H.264 | | |
| | Analog video input | 4-ch | 8-ch | 16-ch |
| | HDTVI input | BNC interface (1.0 Vp-p, 75 Ω), supporting coaxitron connection | | |
| | AHD input | 3 MP, 1080p25, 1080p30, 720p25, 720p30, 720p50, 720p60 Note: The 3 MP signal input is only available for the first channel of DS-7204HQHI-F1/N, the first 2 channels of DS-7208HQHI-F1/N, and the first 4 channels of DS-7216HQHI-F1/N. | | |
| | CVBS input | 1080p25, 1080p30, 720p25, 720p30 | | |
| | IP video input | Support | | |
| | Audio compression | G.711u | | |
| | Audio input/Two-way audio input | 1-ch, RCA [2.0 Vp-p, 1 KΩ] | | |
| Video/Audio output | CVBS output | 1-ch, BNC [1.0 Vp-p, 75 Ω], resolution: PAL: 704 × 576, NTSC: 704 × 480 | | |
| | HDMI/VGA output | 1-ch, 1920 × 1080/60Hz, 1280 × 1024/60Hz, 1280 × 720/60Hz, 1024 × 768/60Hz | HDMI: 1-ch, 4K (3840 × 2160)/30Hz, 2K (2560 × 1440)/60Hz, 1920 × 1080/60Hz, 1280 × 1024/60Hz, 1280 × 720/60Hz, 1024 × 768/60Hz VGA: 1-ch, 2K (2560 × 1440)/60Hz, 1920 × 1080/60Hz, 1280 × 1024/60Hz, 1280 × 720/60Hz, 1024 × 768/60Hz | |
| | Encoding resolution | When 1080p Lite mode not enabled: 3 MP/1080p/720p/VGA/WD1/4CIF/CIF; When 1080p Lite mode enabled: 1080p lite/720p lite/VGA/WD1/4CIF/CIF | | |
| | Frame rate | Main stream: When 1080p Lite mode not enabled: For 3 MP stream access: 3 MP/1080p/720p/VGA/WD1/4CIF/CIF@12fps For 1080p stream access: 1080p@12fps; 720p/VGA/WD1/4CIF/CIF@25fps (P)/30fps (N) For 720p stream access: 720p/VGA/WD1/4CIF/CIF@25fps (P)/30fps (N) When 1080p Lite mode enabled: 1080p lite/720p lite/VGA/WD1/4CIF/CIF@25fps (P)/30fps (N) Sub-stream: WD1/4CIF/2CIF@12fps; CIF/QVGA/QCIF@25fps (P)/30fps (N) | | |
| | Video bit rate | 32 Kbps to 6 Mbps | | |
| | Audio output | 1-ch, RCA (Linear, 1 KΩ) | | |
| | Audio bit rate | 64 Kbps | | |
| | Dual stream | Support | | |
| | Stream type | Video, Video & Audio | | |
| | Synchronous playback | 4-ch | 8-ch | 16-ch |
| Network management | Remote connections | 128 | | |
| | Network protocols | TCP/IP, PPPoE, DHCP, Hik Cloud P2P, DNS, DDNS, NTP, SADP, NFS, iSCSI, UPnP™, HTTPS, ONVIF | | |
| Hard disk | SATA | 1 SATA interface | | |
| | Capacity | Up to 6 TB capacity for each disk | | |
| External interface | Network interface | 1, RJ45 10M/100M self-adaptive Ethernet interface | | 1, RJ45 10M/100M/1000M self-adaptive Ethernet interface |
| | USB interface | 2 × USB 2.0 | | Front panel: 1 × USB 2.0 Rear panel: 1 × USB 3.0 |
| | Serial interface | RS-485 (half-duplex) | | |
| General | Power supply | 12 VDC | | |
| | Consumption (without HDD) | ≤ 15 W | ≤ 20 W | ≤ 30 W |
| | Working temperature | -10 °C to +55 °C (14 °F to 131 °F) | | |
| | Working humidity | 10% to 90% | | |
| | Dimensions (W × D × H) | 315 × 242 × 45 mm (12.4 × 9.5 × 1.8 inch) | | |
| | Weight (without HDD) | ≤ 2 kg (4.4 lb) | ≤ 2 kg (4.4 lb) | ≤ 2 kg (4.4 lb) |

ESPECIFICACIONES TECNICAS

HIKVISION

Physical Interfaces



NOTE

The rear panel of DS-7204/7216HQHI-F1/N provide 4/16 video input interfaces.

| Index | Description | Index | Description |
|-------|--------------------------|-------|-------------------------|
| 1 | VIDEO IN | 7 | USB Interface |
| 2 | VIDEO OUT | 8 | LAN Network Interface |
| 3 | AUDIO IN, RCA Connector | 9 | RS-485 Serial Interface |
| 4 | AUDIO OUT, RCA Connector | 10 | 12 VDC Power Input |
| 5 | VGA Interface | 11 | Power Switch |
| 6 | HDMI Interface | 12 | GND |

Available Models

DS-7204HQHI-F1/N, DS-7208HQHI-F1/N, DS-7216HQHI-F1/N

Distributed by:



