

**INTEGRASAT SOLUCIONES CENTER SRL****RUC: 20455256357****Equipos, partes y accesorios de tecnología informática y servicios de soporte técnico**

Cotización No. 001 - 38

NIT	CLIENTE	CONTACTO	FECHA	CIUDAD
TELÉFONO	DIRECCIÓN	EMAIL	DESCUENTO	FORMA DE PAGO

Atendiendo a su amable solicitud, enviamos la cotización de los productos solicitados por su organización:

ITEM	CÓDIGO	DESCRIPCIÓN	CANTIDAD	VR. UNITARIO	VR. TOTAL
		<b>KIT7 : 6 CAMARAS DE PLASTICO HD</b>	1	S/. 1,780.00	S/. 1,780.00
		<b>CONTENIDO DEL KIT</b>			
1		Camara Interior HK-DS2CE56D0T-IRP	3		
2		Camara Exterior HK-DS2CE16D0T-IRP	3		
3		Dvr 8ch - HK-DS7208HQHI-F1/N	1		
4		Disco Duro 1000 GB	1		
5		Fuentes de alimentacion	6		
6		20 Metros de Cable	6		
<b>Opciones de Pago:</b>				<b>SUBTOTAL</b>	S/. 1,780.00
				<b>IGV</b>	S/. 320.40
				<b>TOTAL A PAGAR</b>	S/. 2,100.40

**Codiciones y validez de la oferta:**

30 dias

**Validez:****Condiciones de entrega:**

Entrega Inmediata

**Condiciones de Garantía:**

garantía de 1 año

Esperamos haber dado alcance a sus requerimientos

Cordialmente,

RICARDO TALAVERA

RPM: #999033365 RPC:959354677

DIRECCIONES

- Direccion: -Lima: Av Nicolas Arriola 265 Of. 201 (referencia: a 1 cuadra de Cruz del Sur de Javier Prado )

- Calle Rivero 107 of 302. Cercado - Arequipa

También estamos en:

Trujillo Puno Cajamarca - Piura -Tumbes - Ica - Chiclayo - Ayacucho- Tacna - Cusco

CUENTAS BANCARIAS :

INTEGRASAT SOLUCIONES CENTER SRL , RUC : 20455256357

Cuenta Corriente BCP Soles

215-2050250-0-12

Código interbancario: CCI: 00221500205025001225

Cuenta Corriente BCP DOLARES

215-2295979-1-31

Código interbancario: CCI 00221500229597913124

# KIT7

## 6 CAMARAS DE PLASTICO HD



CARACTERISTICAS DESCRIPTIVAS	
Material de la Camara	PLASTICO
Caracteristica del DVR	8 Canales
CARACTERISTICAS NUMERICAS	
Resolucion de Camara	1080P
Distancia Metros de Camara	20 metros
Capacidad de Disco Duro	1000GB
capacidad de DVR	8 canales

# ESPECIFICACIONES TECNICAS

**HIKVISION**

**DS-2CE56C0T-IRP**  
**HD720P Indoor IR Turret Camera**



## Key Features

- 1 Megapixel high-performance CMOS
- Analog HD output, up to 720P resolution
- True Day/Night
- DNR, Smart IR
- Up to 20m IR distance

# ESPECIFICACIONES TECNICAS

**HIKVISION**

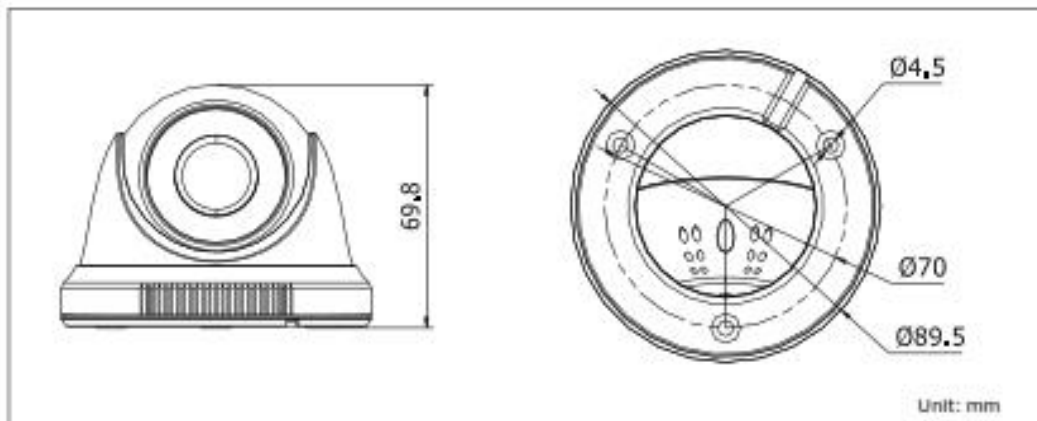
## Specifications

Camera	
Image Sensor	1MP CMOS Image Sensor
Signal System	PAL/NTSC
Effective Pixels	1296(H)*732(V)
Min. Illumination	0.1 Lux @ (F1.2,AGC ON),0 Lux with IR
Shutter Time	1/25(1/30)s to 1/50,000s
Lens	2.8mm, 3.6mm, 6mm optional Angle of View: 70.9°(3.6mm), 92°(2.8mm), 56.7°(6mm)
Lens Mount	M12
Day & Night	ICR
Angle Adjustment	Pan: 0 - 360°, Tilt: 0 - 75°, Rotation: 0 - 360°
Synchronization	Internal synchronization
Video Frame Rate	720p@25fps/720p@30fps
HD Video Output	1 Analog HD output
S/N Ratio	>62dB
General	
Operating Conditions	-20 °C - 45 °C (-4 °F - 113 °F), Humidity 90% or less (non-condensing)
Power Supply	12 VDC ± 15%
Power Consumption	Max. 4W
IR Range	Up to 20m
Dimensions	Φ89.5 × 69.8 mm(Φ3.52" × 2.75")
Weight	250 g

# ESPECIFICACIONES TECNICAS

**HIKVISION**

## Dimensions



## Accessories



D5-1272ZJ-110-TRS  
Wall Mounting



D5-1275ZJ  
Vertical Pole Mounting



D5-1276ZJ  
Corner Mounting



D5-1H18  
Video Balun



X41T  
Camera Tester



D5-1280ZJ-XS  
Junction box

# ESPECIFICACIONES TECNICAS

**HIKVISION**

## DS-7200HQHI-F1/N SERIES TURBO HD DVR



### Features and Functions

#### Video Input and Transmission

- Connectable to HDTVI, AHD and analog cameras
- Up to 2-ch 1080p IP cameras input for DS-7208/7216HQHI-F1/N
- Long distance transmission over UTP and coaxial cable with max. 1200m for the 720p and max. 800m for the 1080p HDTVI signal

#### Compression and Recording

- One-key enable H.264+ compression to improve encoding efficiency by up to 50% and reduce data storage costs
- Up to 3 MP resolution for recording of the first channel of DS-7204HQHI-F1/N, the first 2 channels of DS-7208HQHI-F1/N, and the first 4 channels of DS-7216HQHI-F1/N
- Supports real-time 1080p lite and when enabled, the image effect is similar with 1080p

#### Video Output

- Simultaneous HDMI/VGA output at up to 1920 × 1080 resolution for DS-7204/7208HQHI-F1/N and 4K (3840 × 2160) resolution for HDMI output of DS-7216HQHI-F1/N
- Independent CVBS output improves compatibility at the most possibility

#### Storage and Playback

- One SATA interface (up to 6 TB capacity per HDD)
- 4/8/16-ch synchronous playback
- Smart search for efficient playback

#### Smart Function

- Supports multiple VCA (Video Content Analytics) events for both analog and smart IP cameras
- VQD (Video Quality Diagnostics)
- Unlock pattern for device login for the *admin*
- Clear-text password available

#### Network & Ethernet Access

- Hik Cloud P2P & HiDDNS (Dynamic Domain Name System) for easy network management
- 1 gigabit Ethernet network interface (for DS-7216HQHI-F1/N)
- Output bandwidth limit configurable

# ESPECIFICACIONES TECNICAS

**HIKVISION**

## Specifications

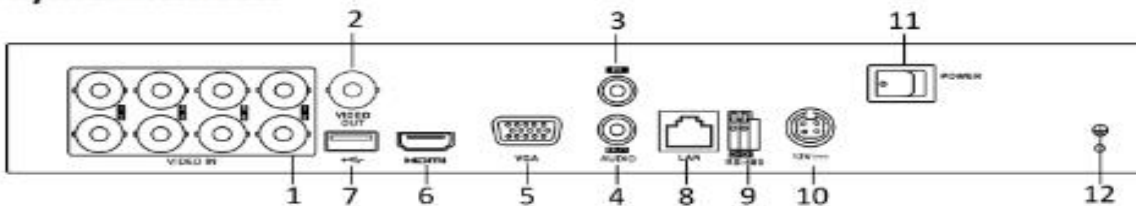
Model		D5-7204HQHI-F1/N	D5-7208HQHI-F1/N	D5-7216HQHI-F1/N
Video/Audio input	Video compression	H.264+/H.264		
	Analog video input	4-ch	8-ch	16-ch
		BNC interface (1.0 Vp-p, 75 Ω), supporting coaxitron connection		
	HDTVI input	3 MP, 1080p25, 1080p30, 720p25, 720p30, 720p50, 720p60		
		<b>Note:</b> The 3 MP signal input is only available for the first channel of D5-7204HQHI-F1/N, the first 2 channels of D5-7208HQHI-F1/N, and the first 4 channels of D5-7216HQHI-F1/N.		
	AHD input	1080p25, 1080p30, 720p25, 720p30		
	CVBS input	Support		
	IP video input	1-ch	2-ch	
	Up to 1080p resolution			
Audio compression	G.711u			
Audio input/Two-way audio input	1-ch, RCA (2.0 Vp-p, 1 KΩ)			
Video/Audio output	CVBS output	1-ch, BNC (1.0 Vp-p, 75 Ω), resolution: PAL: 704 × 576, NTSC: 704 × 480		
	HDMI/VGA output	1-ch, 1920 × 1080/60Hz, 1280 × 1024/60Hz, 1280 × 720/60Hz, 1024 × 768/60Hz		<b>HDMI:</b> 1-ch, 4K (3840 × 2160)/30Hz, 2K (2560 × 1440)/60Hz, 1920 × 1080/60Hz, 1280 × 1024/60Hz, 1280 × 720/60Hz, 1024 × 768/60Hz <b>VGA:</b> 1-ch, 2K (2560 × 1440)/60Hz, 1920 × 1080/60Hz, 1280 × 1024/60Hz, 1280 × 720/60Hz, 1024 × 768/60Hz
	Encoding resolution	When 1080p Lite mode not enabled: 3 MP/1080p/720p/VGA/WD1/4CIF/CIF; When 1080p Lite mode enabled: 1080p lite/720p lite/VGA/WD1/4CIF/CIF		
	Frame rate	Main stream: When 1080p Lite mode not enabled: For 3 MP stream access: 3 MP/1080p/720p/VGA/WD1/4CIF/CIF@12fps For 1080p stream access: 1080p@12fps; 720p/VGA/WD1/4CIF/CIF@25fps (P)/30fps (N) For 720p stream access: 720p/VGA/WD1/4CIF/CIF@25fps (P)/30fps (N) When 1080p Lite mode enabled: 1080p lite/720p lite/VGA/WD1/4CIF/CIF@25fps (P)/30fps (N) Sub-stream: WD1/4CIF/2CIF@12fps; CIF/QVGA/QCIF@25fps (P)/30fps (N)		
	Video bit rate	32 Kbps to 6 Mbps		
	Audio output	1-ch, RCA (Linear, 1 KΩ)		
	Audio bit rate	64 Kbps		
	Dual stream	Support		
	Stream type	Video, Video & Audio		
	Synchronous playback	4-ch	8-ch	16-ch
Network management	Remote connections	128		
	Network protocols	TCP/IP, PPPoE, DHCP, Hik Cloud P2P, DNS, DDNS, NTP, SADP, NFS, iSCSI, UPnP™, HTTPS, ONVIF		
Hard disk	SATA	1 SATA interface		
	Capacity	Up to 6 TB capacity for each disk		
External interface	Network interface	1, RJ45 10M/100M self-adaptive Ethernet interface		1, RJ45 10M/100M/1000M self-adaptive Ethernet interface
	USB interface	2 × USB 2.0		Front panel: 1 × USB 2.0 Rear panel: 1 × USB 3.0
	Serial interface	RS-485 (half-duplex)		
General	Power supply	12 VDC		
	Consumption (without HDD)	≤ 15 W	≤ 20 W	≤ 30 W
	Working temperature	-10 °C to +55 °C (14 °F to 131 °F)		
	Working humidity	10% to 90%		
	Dimensions (W × D × H)	315 × 242 × 45 mm (12.4 × 9.5 × 1.8 Inch)		
	Weight (without HDD)	≤ 2 kg (4.4 lb)	≤ 2 kg (4.4 lb)	≤ 2 kg (4.4 lb)



# ESPECIFICACIONES TECNICAS

**HIKVISION**

## Physical Interfaces



**NOTE**

The rear panel of DS-7204/7216HQHI-F1/N provide 4/16 video input interfaces.

Index	Description	Index	Description
1	VIDEO IN	7	USB Interface
2	VIDEO OUT	8	LAN Network Interface
3	AUDIO IN, RCA Connector	9	RS-485 Serial Interface
4	AUDIO OUT, RCA Connector	10	12 VDC Power Input
5	VGA Interface	11	Power Switch
6	HDMI Interface	12	GND

## Available Models

DS-7204HQHI-F1/N, DS-7208HQHI-F1/N, DS-7216HQHI-F1/N

Distributed by:



